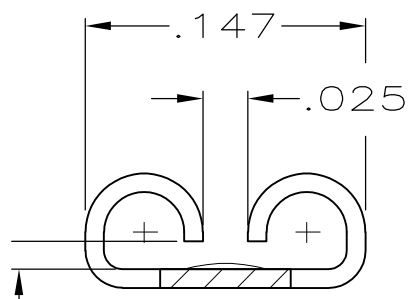
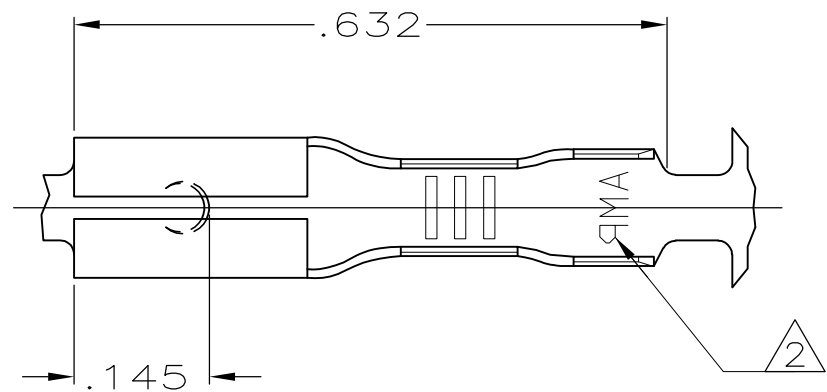


THIS DRAWING IS UNPUBLISHED. RELEASED FOR PUBLICATION ,19 .  
 © COPYRIGHT 19 BY AMP INCORPORATED. ALL INTERNATIONAL RIGHTS RESERVED.

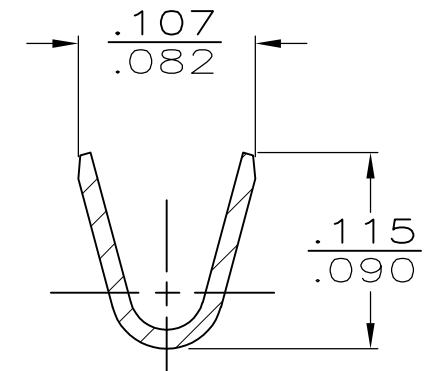
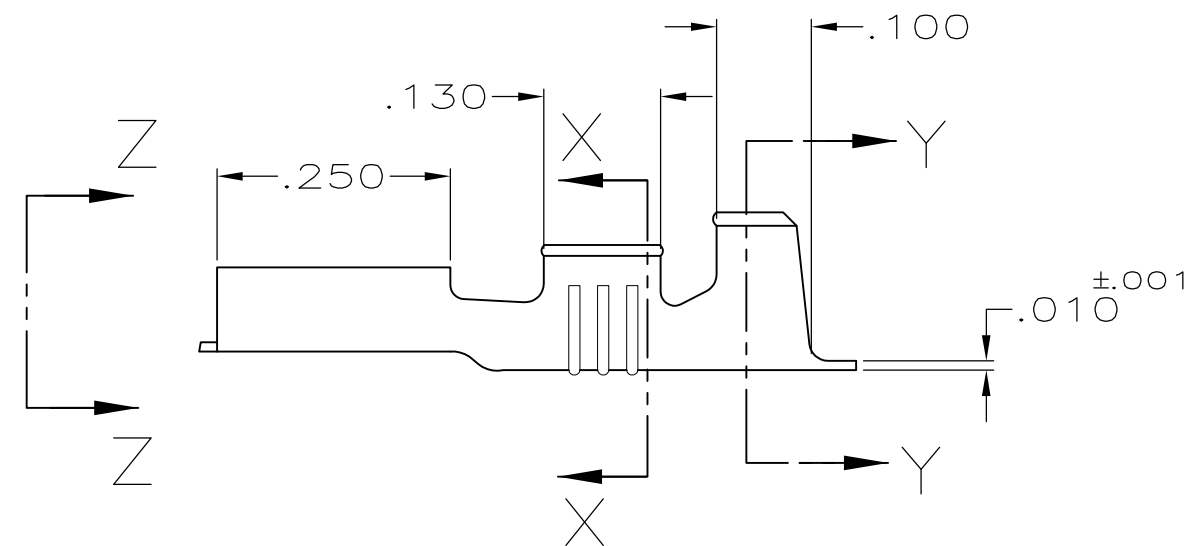
LOC	DIST	P	F	ZONE	LTR	DESCRIPTION	DATE	APPD
AF	50				P1	REVISED PER ECO-09-020774	24AUG09	KK/AEG



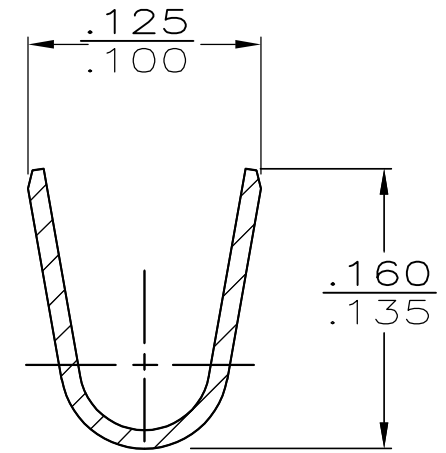
- 1 CONTINUOUS STRIP ON REELS
- 2 AMP\* FOR 42236-2 ONLY, ALL OTHERS JUST AMP.
- 3 OBSOLETE PARTS: OBSOLETE CIS STREAMLINING PER D.RENAUD/D.SINISI

— FITS .110 SERIES FASTON TABS

VIEW Z-Z  
SCALE 10:1



SECTION X-X  
SCALE 10:1



SECTION Y-Y  
SCALE 10:1

3 OBSOLETE	T3 PHOS BRZ	TIN	.060-.100	22-20 AWG	.020	42236-2
	4H BRASS	PRE-TIN				42236-1
	MATERIAL	FINISH	INSUL RANGE	WIRE SIZE	MATING TAB THK ±.001	PART NO

DO NOT SCALE PRINT. UNLESS SPECIFIED DIMENSIONS ARE IN INCHES TOLERANCES ON: 2 PLC DEC ± - 3 PLC DEC ± .015 ANGLES ± -	DR	1/2/91 JR RUTH	
	CHK	1/2/91 MS FEHER	
	APPD	1/2/91 C MEYERS	
	APPD	1/2/91 D REINER	
MATERIAL	SEE TABLE	PRODUCT SPEC	-
FINISH	SEE TABLE	APPLICATION SPEC	-
		WEIGHT	-

<b>AMP</b> AMP Incorporated Harrisburg, PA 17105-3608		
NAME RECEPTACLE, FASTON, .110 SERIES		
SIZE B	CAGE CODE 00779	DRAWING NO 42236
SCALE 5:1	SHEET 1 OF 1	